



August 21, 1967

Cedar Rapids, Iowa 52406

Area Code 319 365-8411

Cable : COLINRAD

REVISION TO
30L-1 SERVICE BULLETIN NO. 1

Attached is a revised copy of 30L-1 Service Bulletin No. 1 titled "WIRING CHANGE REQUIRED BEFORE CONVERSION FROM 115 TO 230-VOLT OPERATION IS MADE, USE OF 8-AMPERE LINE FUSES, AND CORRECTION TO INSTRUCTION BOOK DRAWINGS" originally dated August 21, 1961.

The purpose of this revision is to reference later editions of the 30L-1 R-F Linear Amplifier Instruction Book in the second and fourth paragraphs on page 1, and to correct figures 1 and 2.

The attached completely replaces the above referenced service bulletin. Black lines in the margins indicate where changes have been made to the original publication.



product support

SERVICE BULLETIN

COLLINS RADIO COMPANY

SERVICE BULLETIN NO. 1

EQUIPMENT SERIES: 30L-1

August 21, 1961
Page 1 of 3
Revised 8-21-67

EQUIPMENT TYPE: 30L-1 R-F LINEAR AMPLIFIER

SUBJECT: WIRING CHANGE REQUIRED BEFORE CONVERSION FROM 115 TO 230-VOLT OPERATION IS MADE, USE OF 8-AMPERE LINE FUSES, AND CORRECTION TO INSTRUCTION BOOK DRAWINGS.

This bulletin is to call attention to a wiring change required before conversion from 115 to 230-volt operation is made, use of 8-ampere line fuses, and a correction to figures 3-2 and 7-1 in the instruction book. Following is a brief description of each change.

The procedure and schematic for converting operation of the unit from 115 to 230-volts, as detailed in the 5th edition of the 30L-1 R-F Linear Amplifier Instruction Book, dated 15 June 1962, is in error. These errors are corrected in the 6th edition of the above referenced instruction book, dated 15 June 1964. Before conversion is attempted the wiring changes detailed below must be made. After these changes have been made, the conversion can be made by changing the jumper wires on TB1 as shown in figure 1.

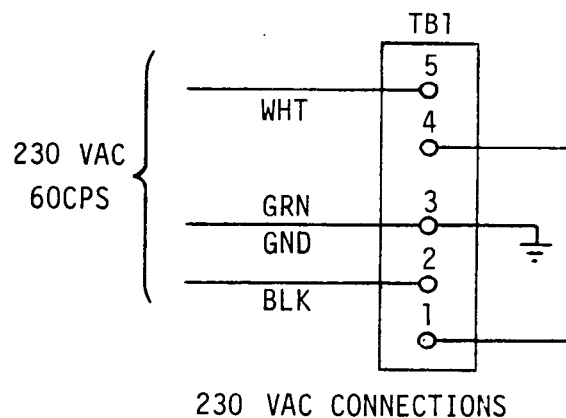
Eight-ampere fuses can be substituted for the 6-ampere line fuses, F1 and F2. These fuses will afford the necessary protection and eliminate the frequent replacement of the fuses that have been required in some units. It is not necessary that the 8-ampere fuses be substituted unless frequent replacement of the other fuses has been required. The Collins part number of the 8-ampere fuse is 264-4110-00.

Figures 3-2 and 7-1 in the instruction book (up to and including the 5th edition) are in error and should be corrected as shown in figure 2. This correction applies only to the instruction book and does not involve changes to the equipment itself.

Procedure for correcting TB1 wiring to allow conversion from 115 to 230-volt operation:

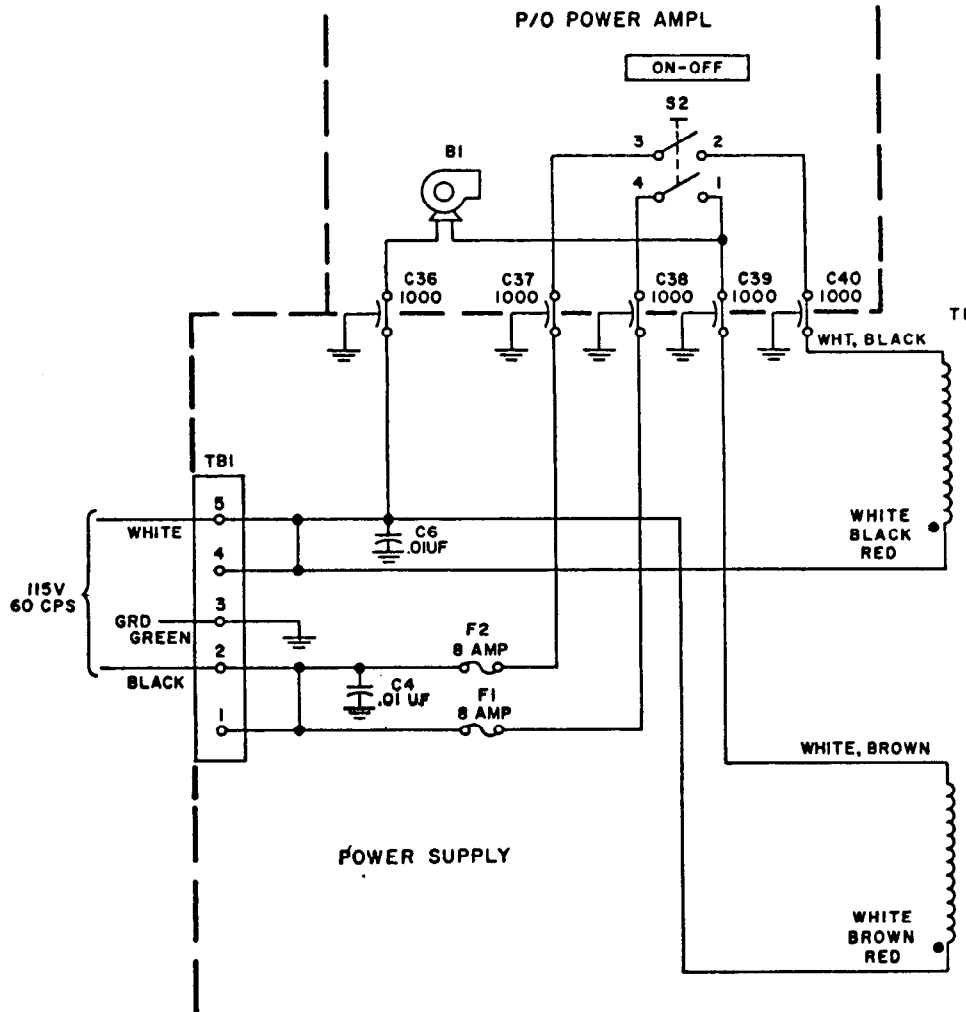
Revised 8-21-67

1. Remove a-c power cord from the primary power source.
2. Lift the cabinet lid and remove the two Phillips-head screws located on the front panel rim.
3. Remove the four feet and the Phillips-head screw that is located between the rear feet.
4. Remove amplifier chassis from cabinet. The easiest way to do this is to place amplifier panel down on a padded surface.
5. Remove the screws from the bottom panel and both end panels of the amplifier. Lift out the bottom shield.
6. Move the white wire from the power cord from terminal 1 to terminal 2 on terminal strip TB1.
7. Move the lead of capacitor C4 from terminal 1 to terminal 2 of TB1.
8. Reassemble unit and return to operation. (Conversion from 115 to 230-volt operation and vice versa now can be made by connecting the jumper units on terminal strip TB1 as shown in figure 1.)



Termination of AC Power Cord at Terminal Strip TB1

Figure 1



Corrected Partial View of Figure 7-1 in Instruction Book

Figure 2